

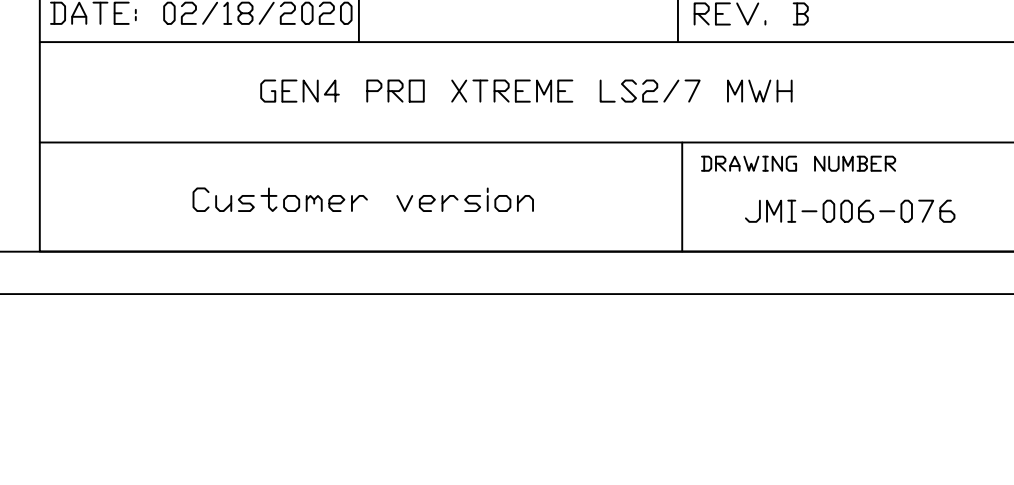
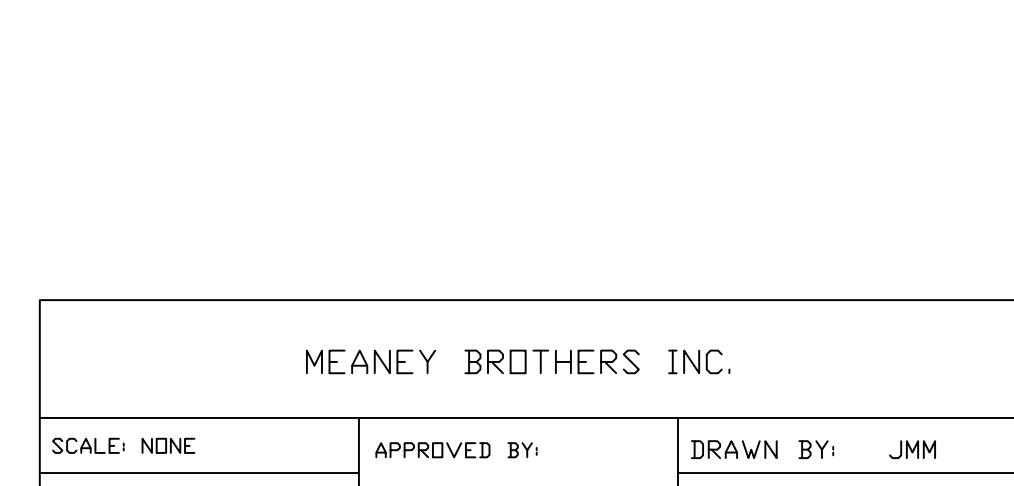
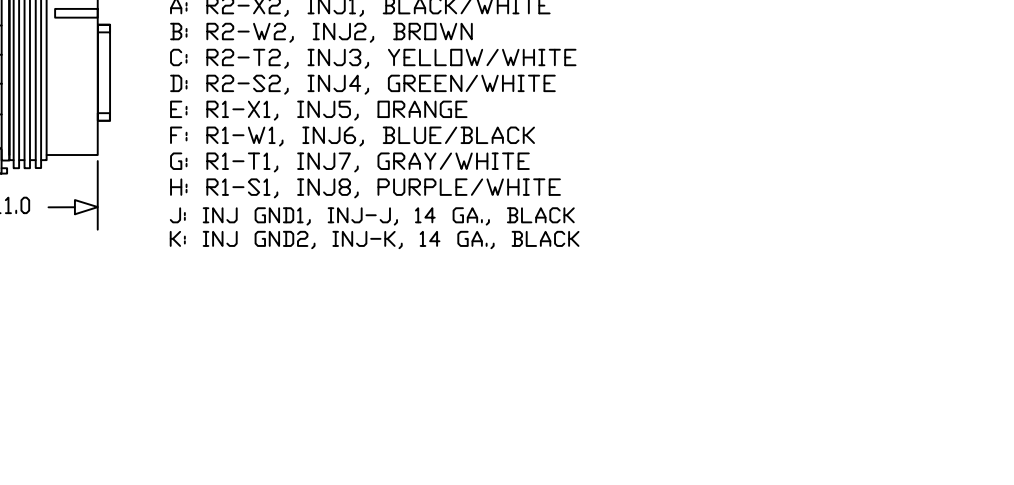
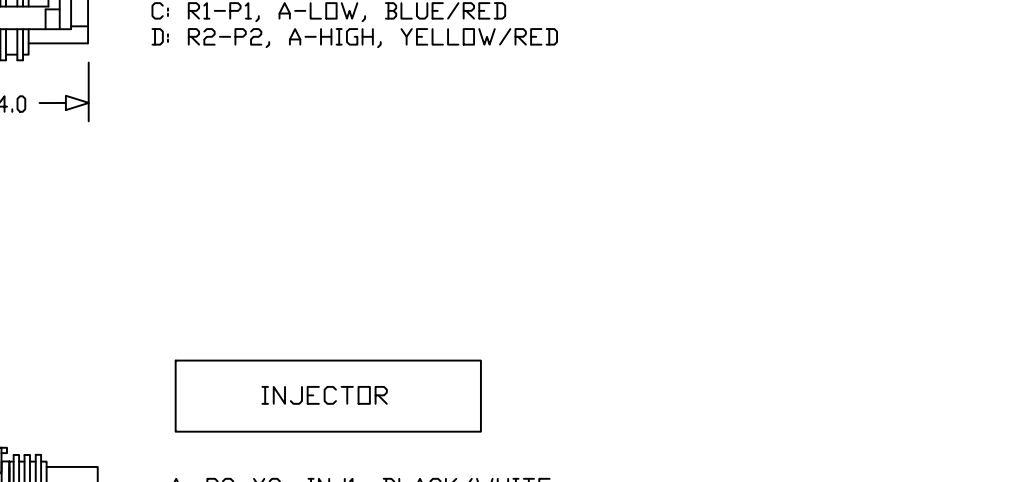
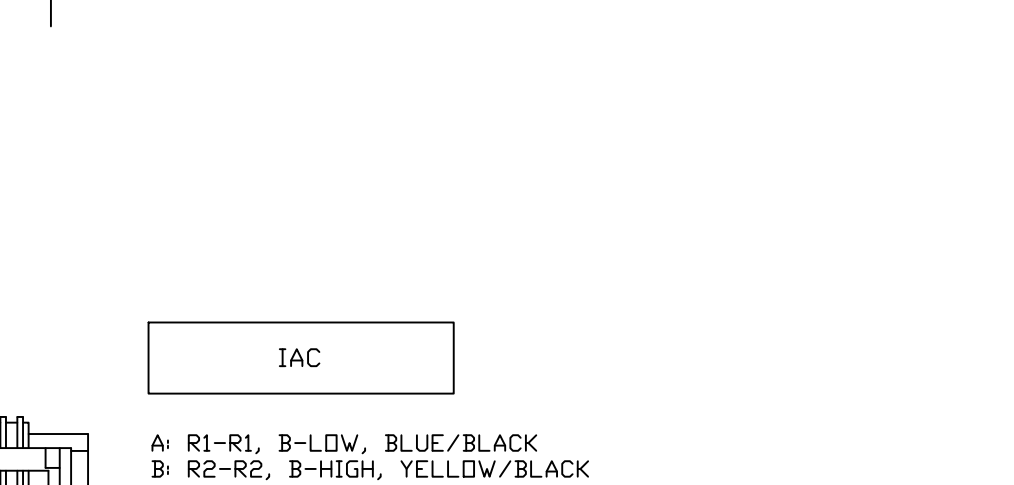
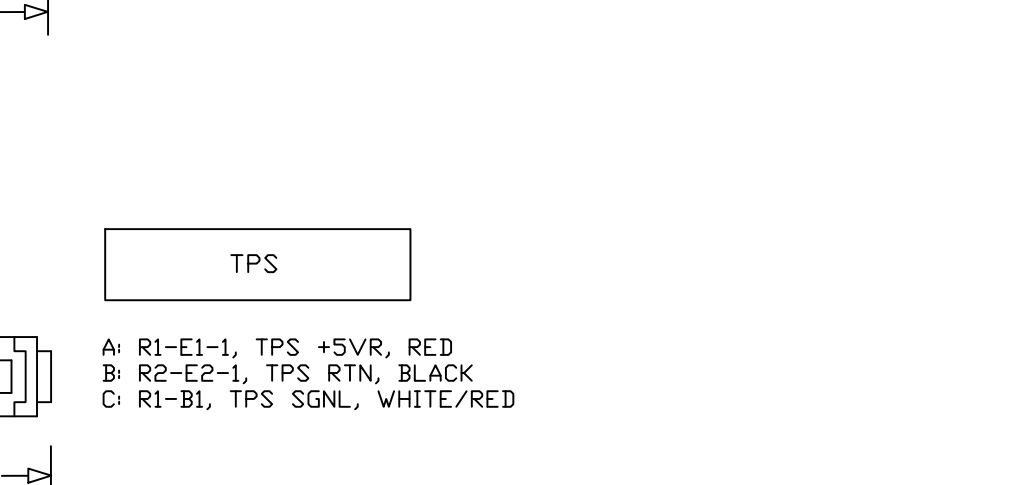
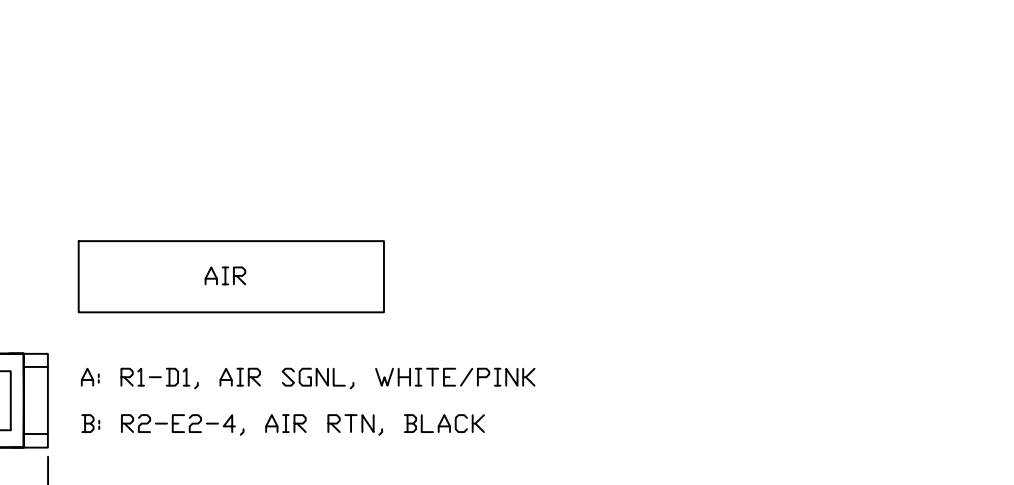
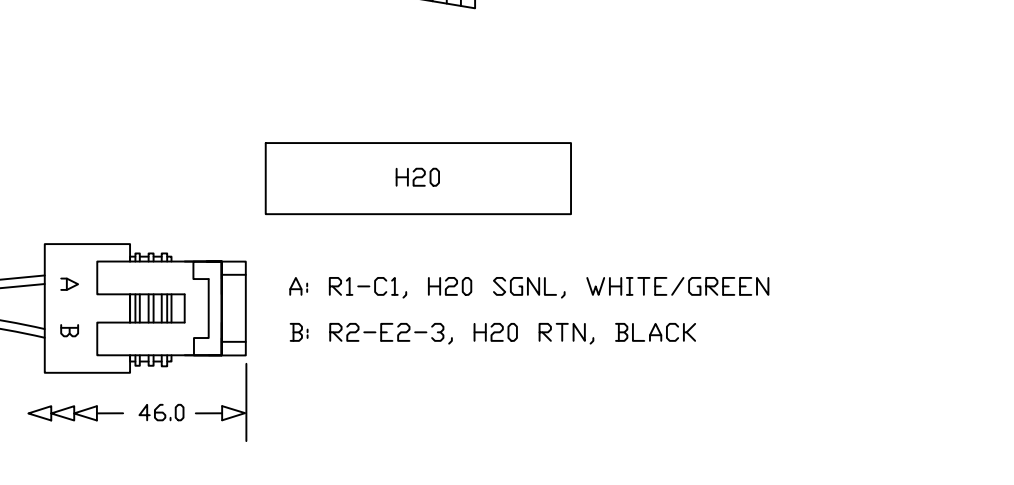
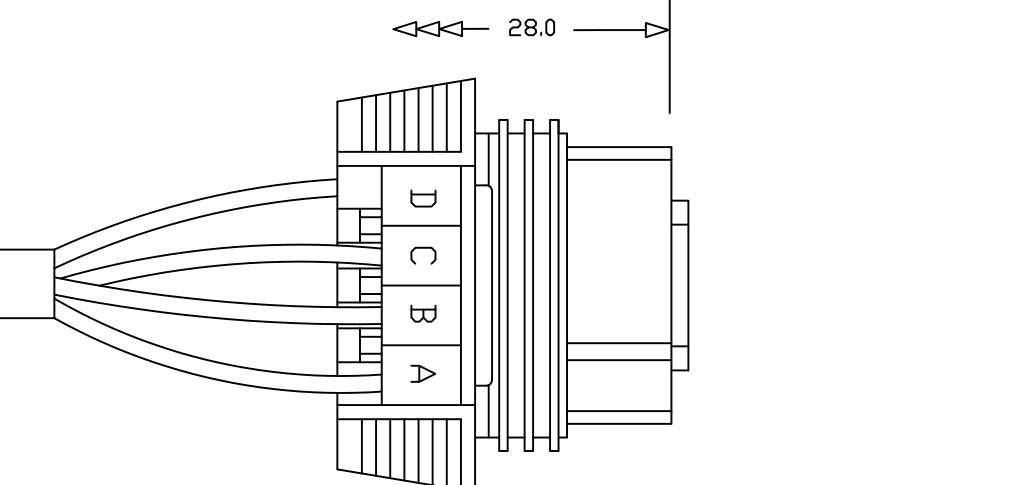
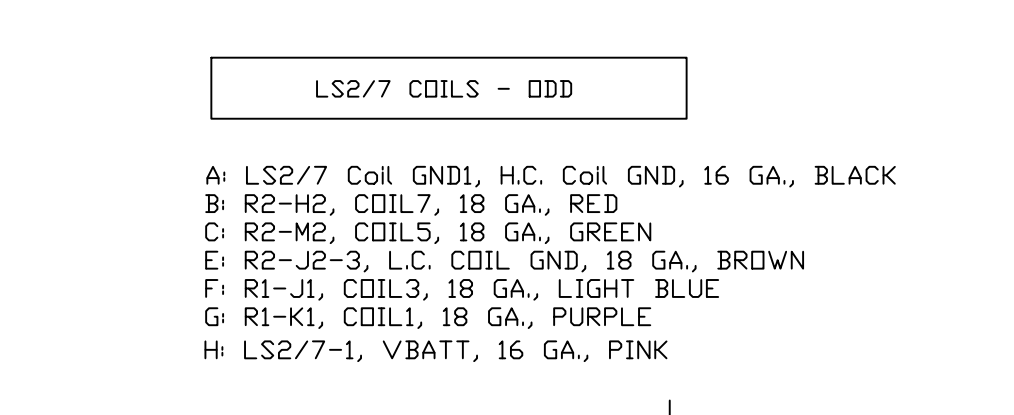
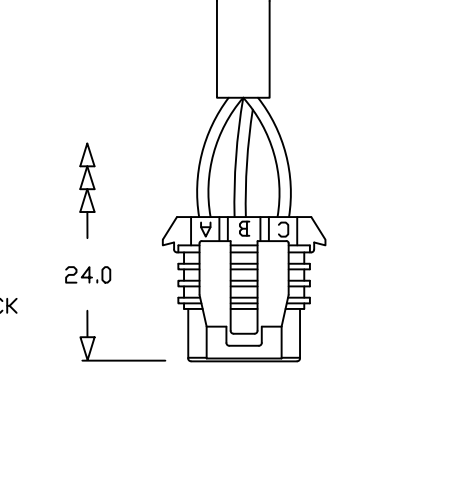
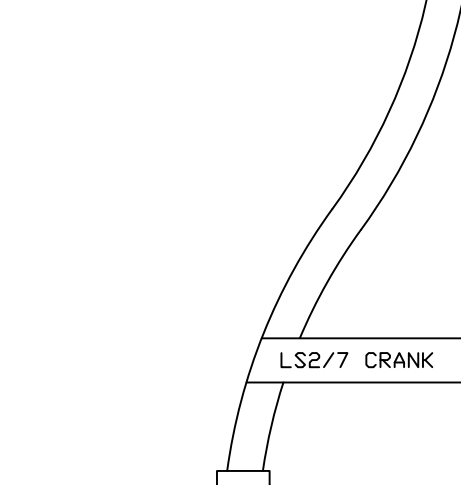
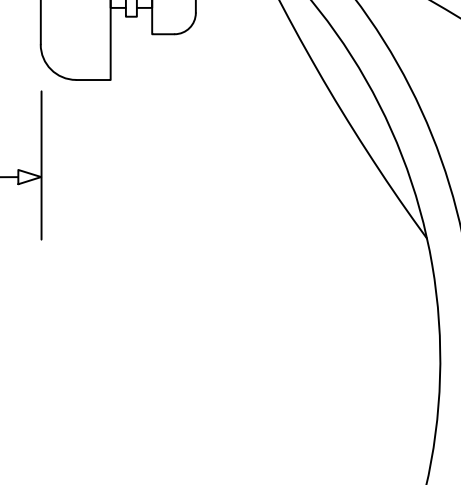
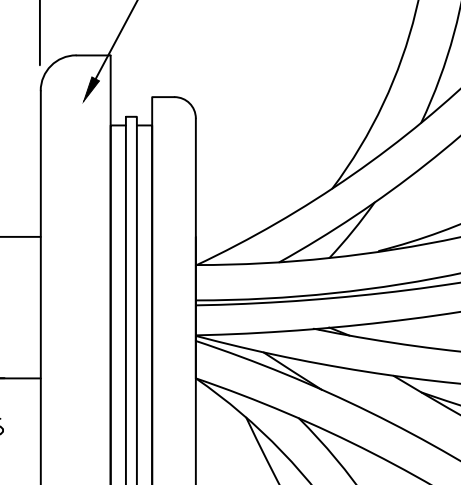
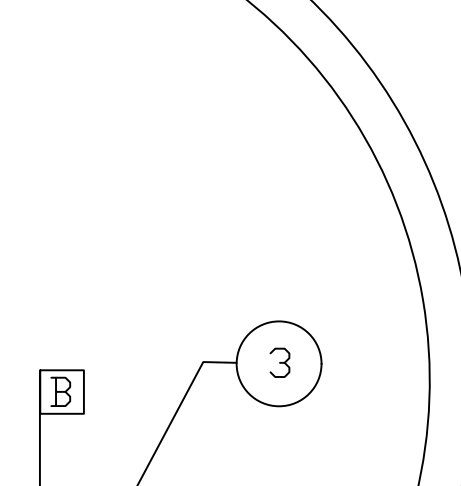
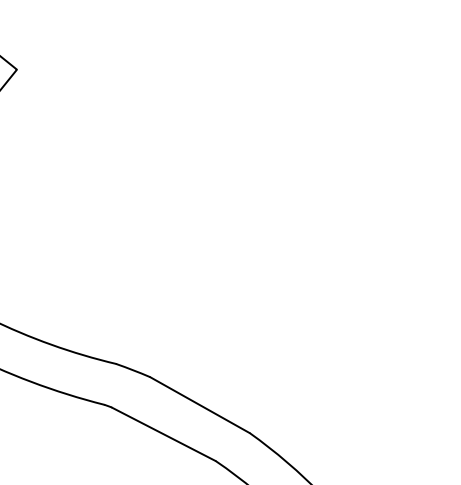
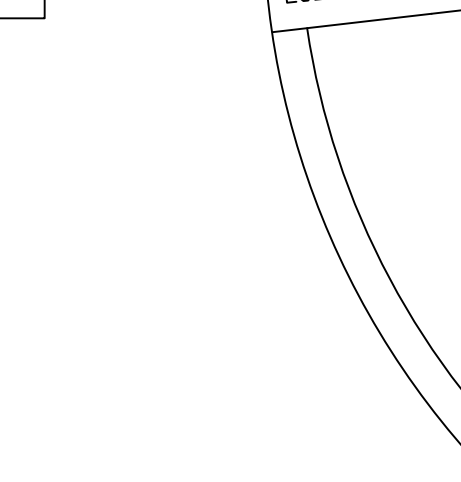
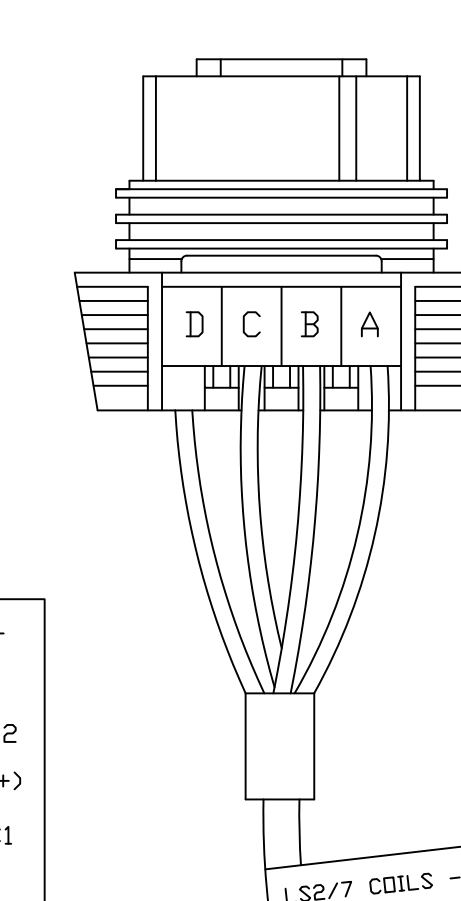
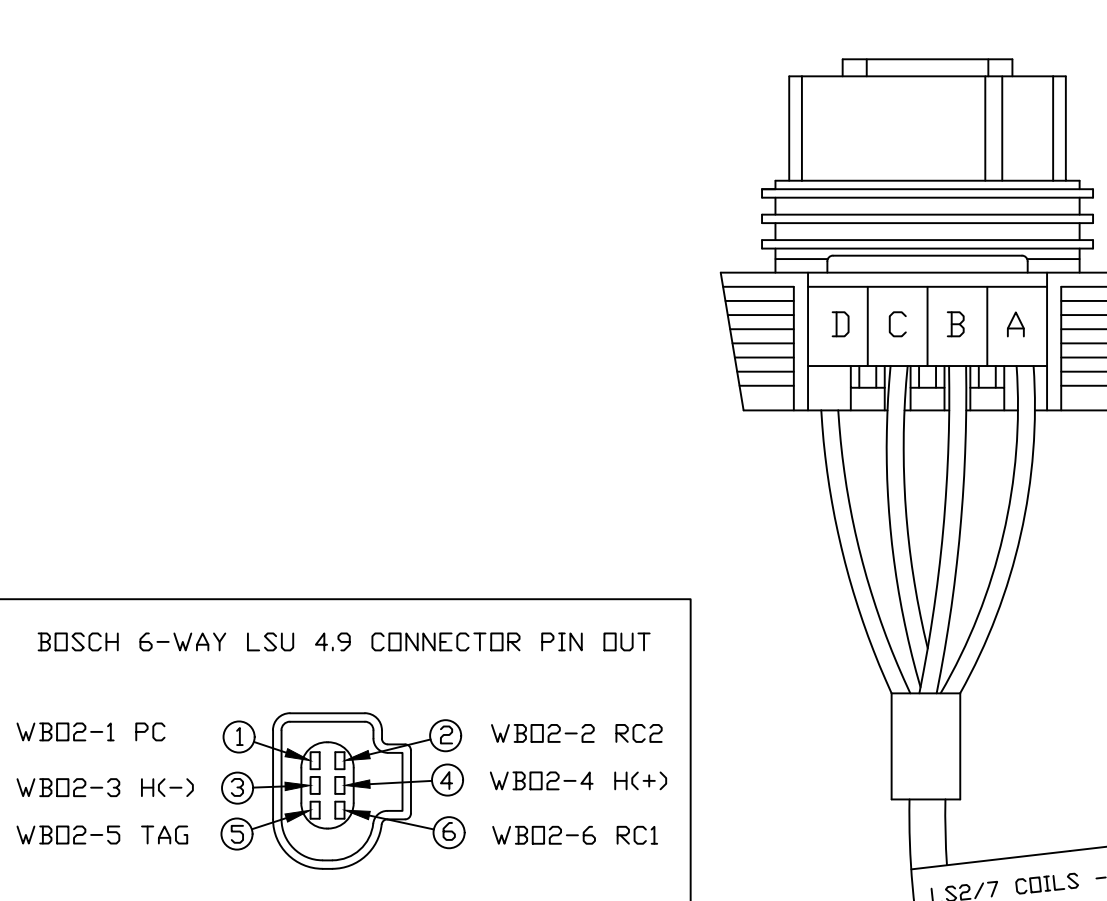
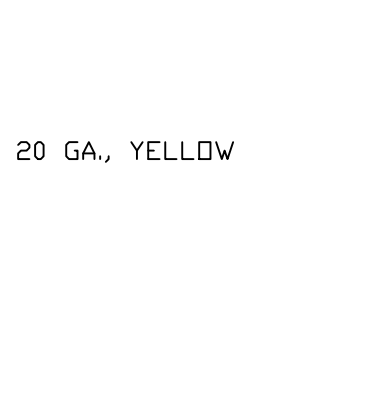
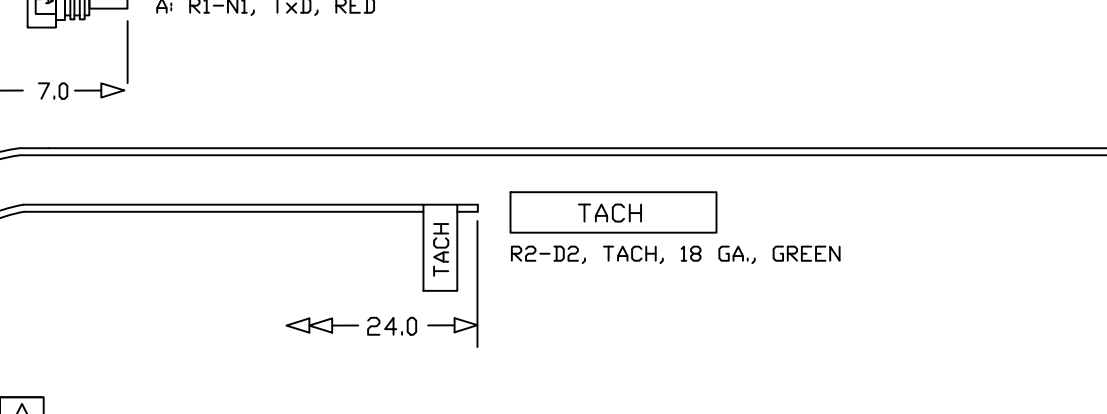
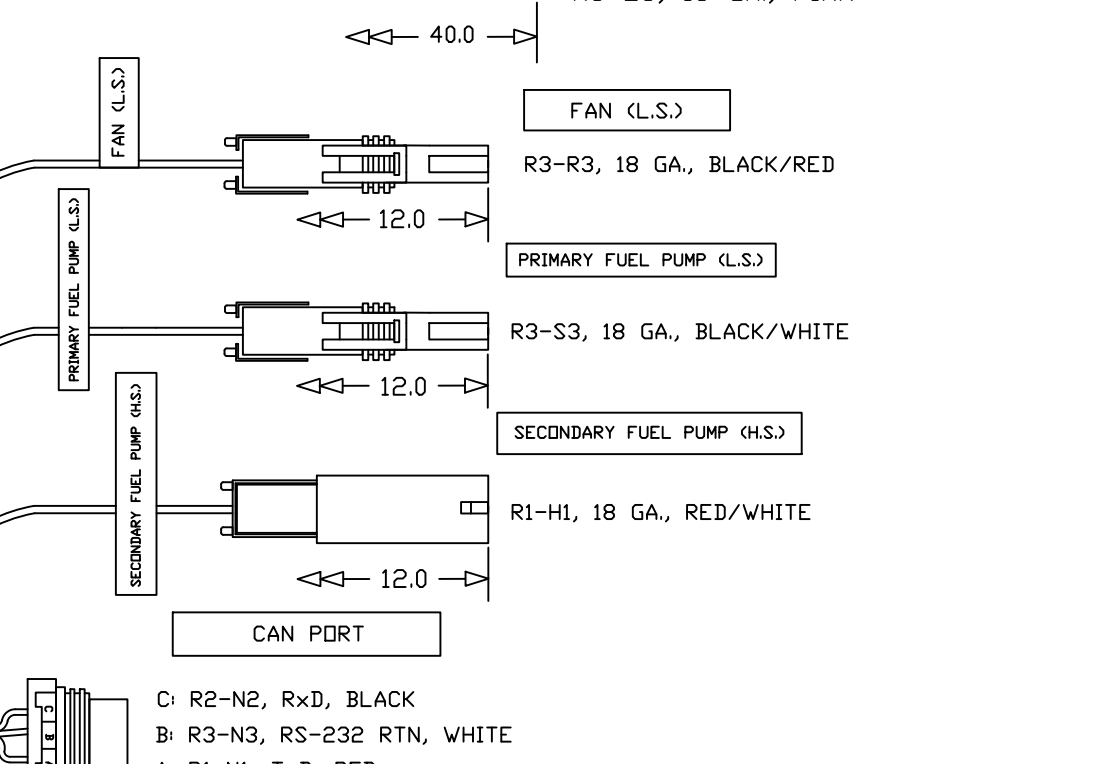
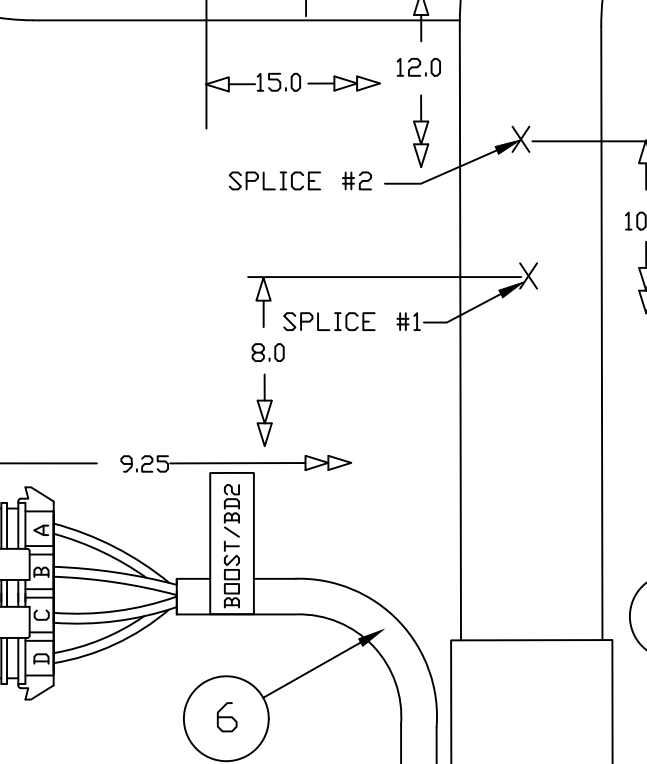
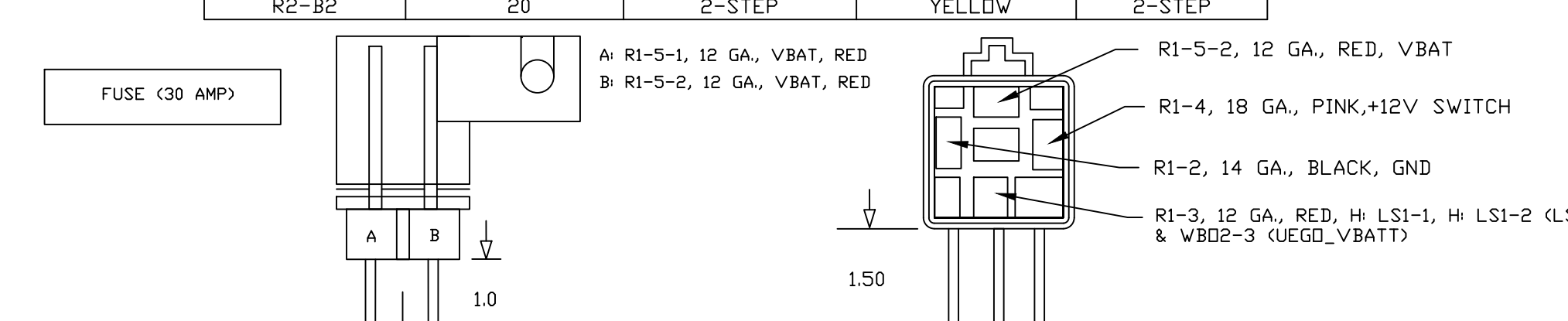
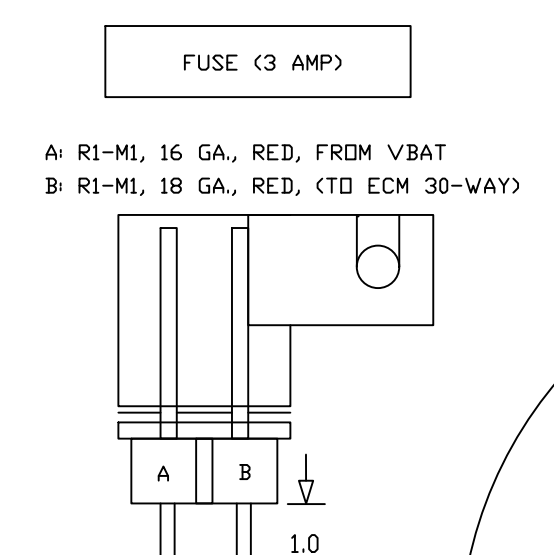
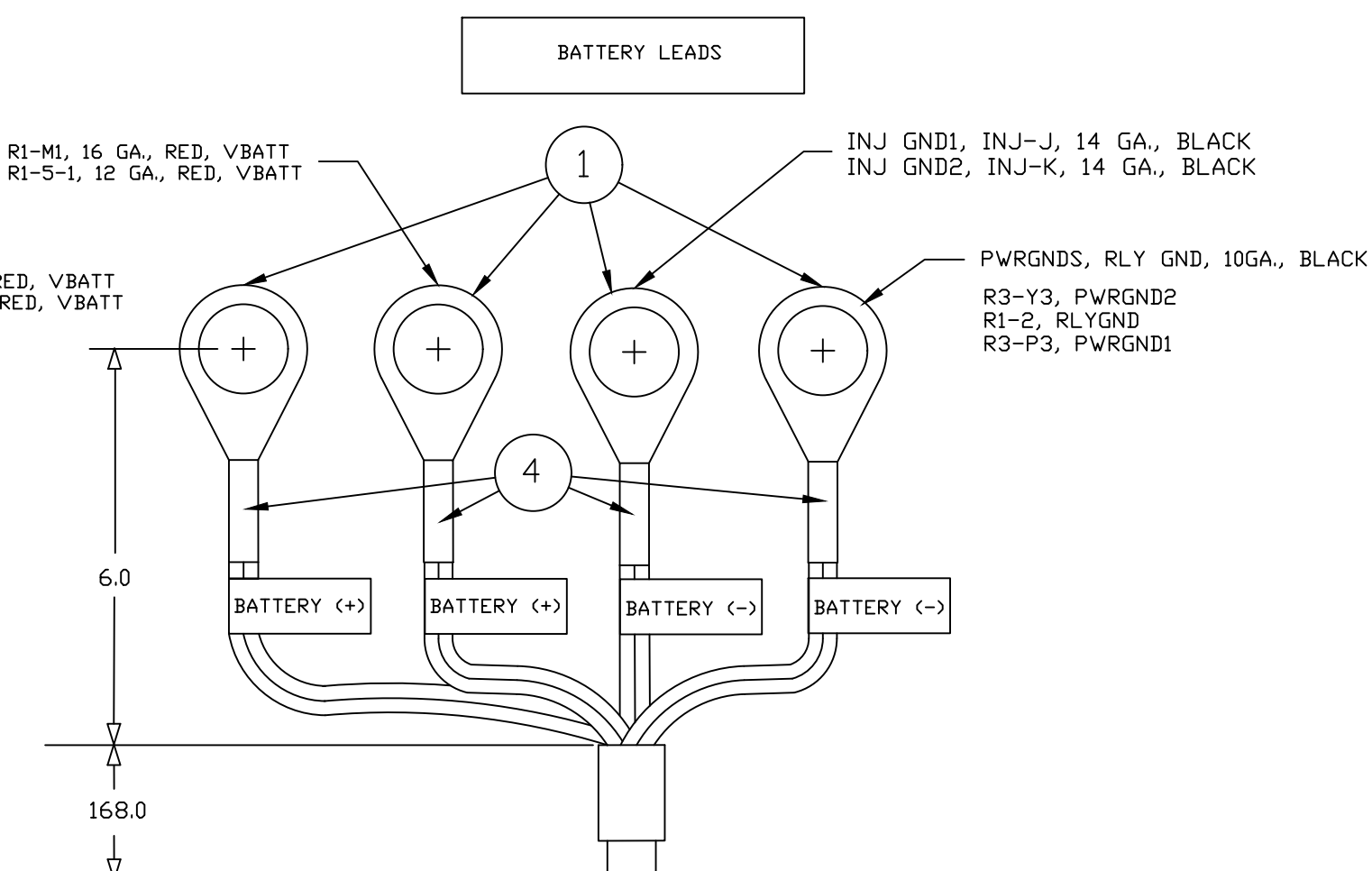
NOTES:

- 10. ALL DIMENSIONS SHOWN WITH SYMBOL \leftrightarrow END AT 30-WAY CONNECTOR AT DATUM A
- 11. ALL DIMENSIONS SHOWN WITH SYMBOL \leftrightarrow END AT HARNESS GRDMET AT DATUM B
- 12. ALL DIMENSIONS ARE INCHES WITH A TOLERANCE OF +/- 0.50"

ECM CIRCUIT	WIRE GAUGE	GOES TO	WIRE COLOR	NOTES
R2-E2-1	20	TPS-B	BLACK	TPS RTN
R1-B1	18	TPS-C	WHITE/RED	TPS SIG
R1-E1-1	20	TPS-A	RED	TPS SVR
R2-E2-2	20	MAP-A	BLACK	MAP RTN
R1-A1	18	MAP-B	WHITE/BLUE	MAP SGNL
R1-E1-2	20	MAP-C	RED	MAP SVR
R1-C1	18	H20-A	WHITE/GREEN	H20 SGNL
R2-E2-3	20	H20-B	BLACK	H20 RTN
R1-D1	18	AIR-A	WHITE/PINK	AIR SGNL
R2-E2-4	20	AIR-B	BLACK	AIR RTN
R2-X2	16	INJ-A	BLACK/WHITE	INJ1
R2-W2	16	INJ-B	BROWN	INJ2
R2-T2	16	INJ-C	YELLOW/WHITE	INJ3
R2-S2	16	INJ-D	YELLOW/WHITE	INJ4
R1-X1	16	INJ-E	ORANGE	INJ5
R1-W1	16	INJ-F	BLUE/BLACK	INJ6
R1-T1	16	INJ-G	GRAY/WHITE	INJ7
R1-S1	16	INJ-H	PURPLE/WHITE	INJ8
		INJ-J	BLACK	INJ-J GRND
		INJ-K	BLACK	INJ-K GRND
R2-F2	20	V802-1	RED	PC
R3-G3	20	V802-2	YELLOW	RC2
R1-G1	18	V802-3	WHITE	HC+
R3-F3	20	V802-5	GREEN	TAG
R2-G2	20	V802-6	BLACK	RC1
R1-N1	18	CAN PORT-A	RED	TXD
R3-N3	18	CAN PORT-B	WHITE	RS232 RTN
R2-N2	18	CAN PORT-C	BLACK	RXD
R3-L3	18	+12V SWITCH	PINK	+12V SWITCH
R1-M1	18	ECM VBATT	RED	VBATT
R2-Y2	14	ECM VBAT	RED	VBATT
R1-Y1	14	ECM VBAT	RED	VBATT
R3-Y3	16	GND	BLACK	PWRGRND2
R3-P3	16	GND	BLACK	PWRGRND1
R2-L2	18	BOOST / B20-A	PINK	TIMER ENABLE
R3-T3	18	BOOST / B20-B	WHITE	BOOST INCREMENT
R3-W3	18	BOOST / B20-C	BLUE	BOOST INCREMENT
R1-T1	18	BOOST / B20-D	YELLOW	SECOND SIG DRIVE
R2-P2	18	IAC-D	YELLOW/RED	IAC A-HIGH
R1-P1	18	IAC-C	BLUE/RED	IAC A-LDW
R2-R2	18	IAC-B	YELLOW/BLACK	IAC B-HIGH
R1-R1	18	IAC-A	BLUE/BLACK	IAC B-LDW
R3-R3	18	FAN (LS3)	BLACK/RED	FAN ENABLE (LS3)
R3-S3	18	PRIMARY FUEL PUMP (LS3)	BLACK/WHITE	PRIMARY FUEL PUMP (LS3)
R1-H1	18	SECONDARY FUEL PUMP (LS3)	RED/WHITE	SECONDARY FUEL PUMP (LS3)
R2-D2	18	TACH	GREEN	TACH OUT
R2-L2	16	LS2/7 COIL B20-A	BLACK	HC. COIL GND
R2-H2	18	LS2/7 COIL B20-B	RED	COIL 7
R2-M2	18	LS2/7 COIL B20-C	GREEN	COIL 5
R2-J2-3	18	LS2/7 COIL B20-E	BROWN	L.C. COIL GND
R1-J1	18	LS2/7 COIL B20-F	LIGHT BLUE	COIL 2
R1-K1	18	LS2/7 COIL B20-G	PURPLE	COIL 1
		LS2/7 COIL B20-H	PINK	LS2/7-1 VBATT
		LS2/7 COIL B20-I	BLACK	HC. COIL GND
R3-H3	18	LS2/7 COIL B20-J	RED	COIL 2
R1-L1	18	LS2/7 COIL B20-K	GREEN	COIL 4
R2-J2-4	18	LS2/7 COIL B20-L	BROWN	L.C. COIL GND
R2-C2	18	LS2/7 COIL B20-M	LIGHT BLUE	COIL 6
R3-M3	18	LS2/7 COIL B20-N	PURPLE	COIL 8
		LS2/7 COIL B20-O	PINK	LS2/7-2 VBATT
R3-E3	18	LS2/7 CAN-C	BROWN/WHITE	LS2/7 CAN SGNL
R2-J2-1	18	LS2/7 CAN-B	PINK/BLACK	CAN L.C. GND
R1-L1-3	20	LS2/7 CAN-A	RED	LS2/7 CAN SVR
R3-J3	18	LS2/7 CRANK-A	BLUE/WHITE	LS2/7 CRANK SGNL
R2-J2-2	18	LS2/7 CRANK-B	YELLOW/BLACK	CRANK L.C. GND
R1-E1-4	20	LS2/7 CRANK-C	RED	LS2/7 CRANK SVR
R2-R2	20	2-STEP	YELLOW	2-STEP

RELAY SOCKET

W802
BOSCH 6-WAY LSU 4.9 CONNECTOR PIN OUT
1 R2-F2, 20 GA, RED, W802-1 PC
2 R3-G3, 20 GA, YELLOW, W802-2 RC2
3 R1-G1, 18 GA, WHITE, W802-3 HC+
4 R1-T1, 18 GA, GRAY, W802-4 HC+
5 R3-F3, 20 GA, GREEN, W802-5 TAG
6 R2-G2, 20 GA, BLACK, W802-6 RC1



MEANEY BROTHERS INC.			
SCALE: NONE	APPROVED BY:	DRAWN BY: JMM	
DATE: 02/18/2020		REV. B	
GEN4 PRO XTREME LS2/7 MWH			
Customer version	DRAWING NUMBER	JMI-006-076	