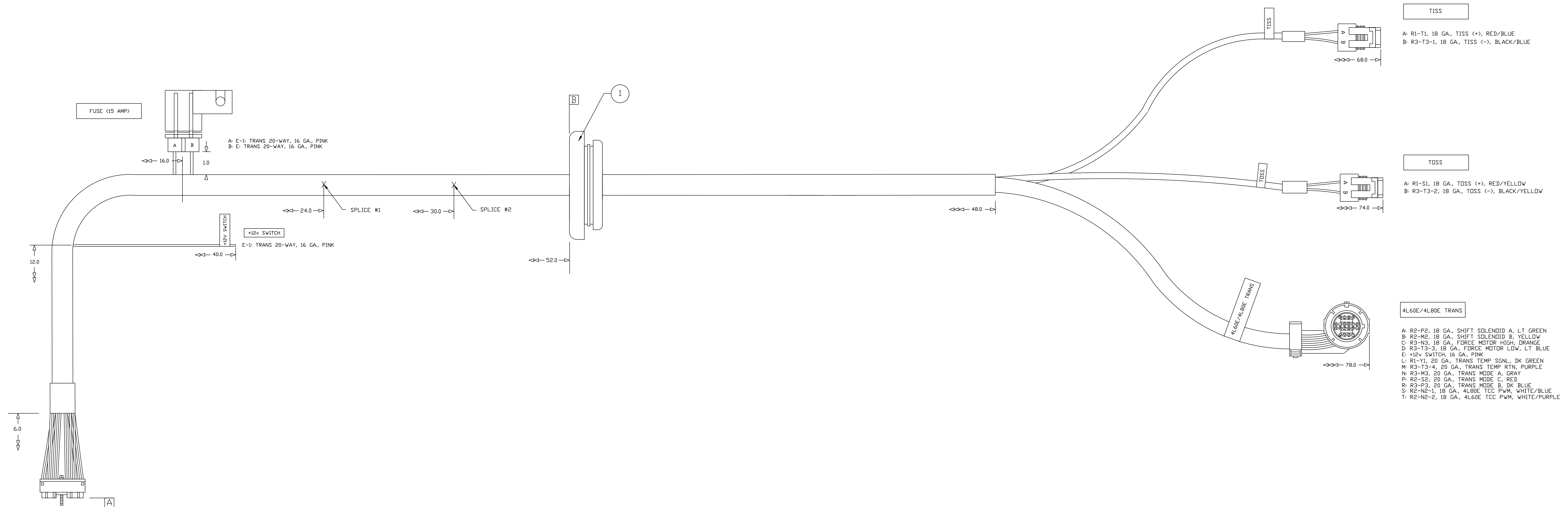


NOTES:

ECM CIRCUIT	WIRE GAUGE	GOES TO	WIRE COLOR	NOTES
R1-T1	18	TISS-A	RED/BLUE	TISS (+)
R3-T3-1	18	TISS-B	BLACK/BLUE	TISS (-)
R1-S1	18	TOSS-A	RED/YELLOW	TOSS (+)
R3-T3-2	18	TOSS-B	BLACK/YELLOW	TOSS (-)
R2-PE	18	TRANS-A	LT GREEN	SHFT SLND A
R2-M2	18	TRANS-B	YELLOW	SHFT SLND B
R3-N3	18	TRANS-C	ORANGE	FORCE MTR HIGH
R3-T3-3	18	TRANS-D	LT BLUE	FORCE MTR LOW
	16	TRANS-E	PINK	+12v SWITCH
R1-Y1	20	TRANS-L	DK GREEN	TRANS TEMP SGNL
R3-T3-4	20	TRANS-M	PURPLE	TRANS TEMP RTN
R2-N2	20	TRANS-N	GRAY	TRANS MDE A
R2-S2	20	TRANS-P	RED	TRANS MDE C
R3-P3	20	TRANS-R	DK BLUE	TRANS MDE B
R2-N2-1	18	TRANS-S	WHITE/BLUE	4L60E TCC PWM
R2-N2-2	18	TRANS-T	WHITE/PURPLE	4L60E TCC PWM

10. ALL DIMENSIONS SHOWN WITH SYMBOL \longleftrightarrow END AT 30-WAY CONNECTOR AT DATUM A
 11. ALL DIMENSIONS SHOWN WITH SYMBOL \longleftrightarrow END AT HARNESS GROMMET AT DATUM B
 12. ALL DIMENSIONS ARE INCHES WITH A TOLERANCE OF +/- 0.50"



MEANEY BROTHERS, INC.			
SCALE: NONE	APPROVED BY:	DRAWN BY: JHM	
DATE: 05/20/18		REV. C	
GEN4 PRO XTREME 4L60E/4L80E TRANS MWH			
Customer version	DRAWING NUMBER JMI-006-078		