

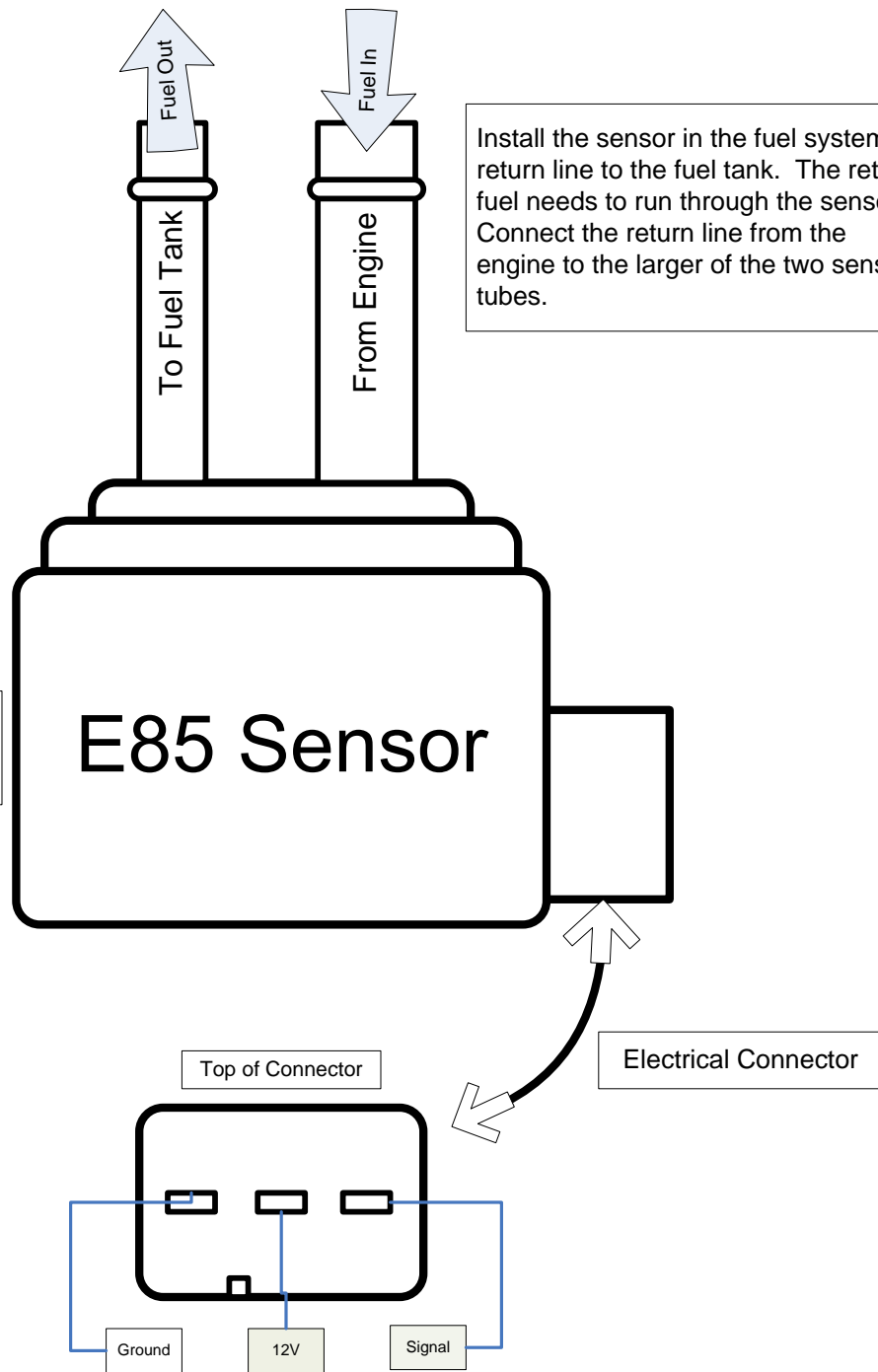
BigStuff3 E85 Sensor Wiring Diagram

Swagelok 6AN fittings are recommended to connect the return lines to the sensor in and out tubes. One (1) reducer and two (2) unions are needed.

- Reducer P/N: SS-500-R-6
- Union P/N: SS-600-6-6AN

Install the sensor in the fuel system return line to the fuel tank. The return fuel needs to run through the sensor. Connect the return line from the engine to the larger of the two sensor tubes.

This sensor is found in most GM flex-fuel vehicles



Electrical Connections – For the Signal and Ground wires:

- Systems using a three (3) wire Hall Effect Device (HED) crank sensor, use header connector 2, pin W1 for the signal wire and W3 for the sensor ground wire.
- For traditional IPU applications and the Ford Mod motor system, use header connector 1, pin E3 for the signal wire and J2 for the sensor ground wire.